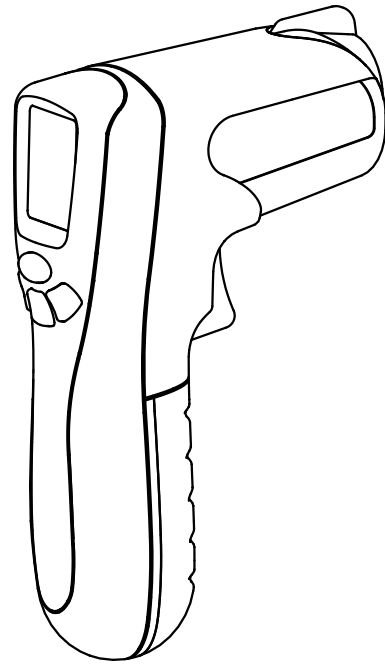


Infrared Thermometer

User's Manual



Infrared Thermometer

Description

Noncontact Thermometer detects the infrared ray that an object emits. The instrument focalizes infrared energy of the object onto a sensor through a lens, changes the surface temperature into electric signal, a microcomputer calculates and displays the measurement temperature on the LCD.

- Single-spot Laser Sighting
- Backlit Display
- Current Temperature Plus MIN, MAX, AVG Temperature Displays
- Preset Emissivity 0.95

Warning

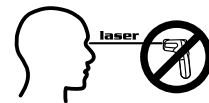
- Please read the following information carefully before using the meter. Protection is impaired if used in a manner not specified in this manual
- Do not clear the meter using solvents.
- Keep the instrument clean, and do not get dust into detecting hole.
- Do not point laser directly at eye or indirectly off reflective surfaces.
- Laser :class 2 <1mW/630-670nm
- Laser radiation is classified according to IEC 60825-1: 2014-05, Safety of laser products – Part 1: Equipment classification and requirements.

CAUTION

LASER RADIATION - DO NOT STARE INTO BEAM.
AVOID EXPOSURE - LASER RADIATION IS EMITTED FROM THIS APERTURE.
 MAX OUTPUT<1mW, WAVELENGTH 630-670nm, CLASS 2 LASER PRODUCT

WARNING

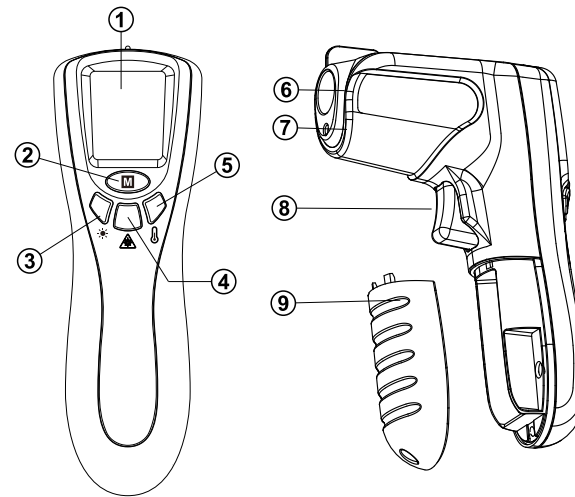
Laser radiation - when open do not stare into beam.



01

Infrared Thermometer

Panel

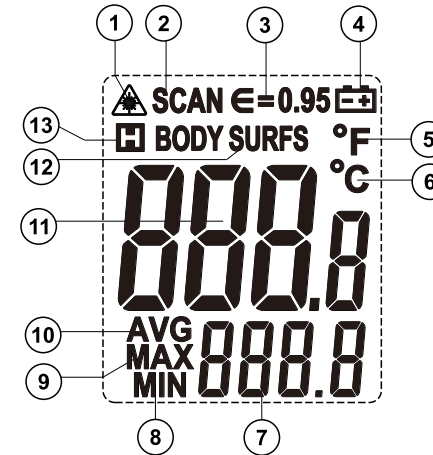


- | | |
|-----------------|-----------------|
| ① Screen | ⑥ Sensor |
| ② Mode key | ⑦ Laser |
| ③ Backlight key | ⑧ Trigger |
| ④ Laser key | ⑨ Battery cover |
| ⑤ °C/°F key | |

02

Infrared Thermometer

Display



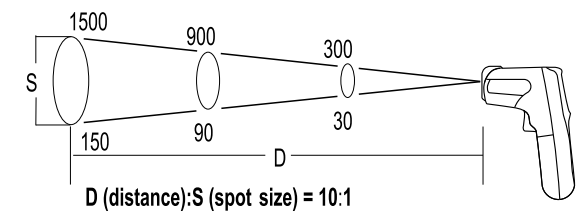
- | | |
|---------------------|-------------------|
| ① Laser indicator | ⑧ Min value |
| ② Scan status | ⑨ Max value |
| ③ Emissivity | ⑩ Average value |
| ④ Low battery | ⑪ Primary display |
| ⑤ °F unit | ⑫ Surface scan |
| ⑥ °C unit | ⑬ Hold status |
| ⑦ Secondary display | |

03

Infrared Thermometer

D:S ratio

Unit: mm



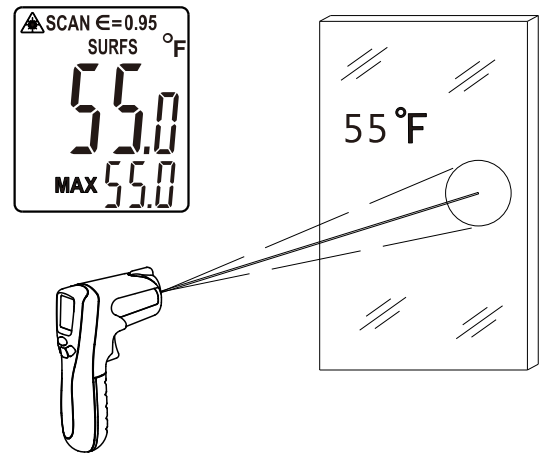
Make sure that the target is larger than the meter's visual spot size. The smaller the target, the closer you should be to it. The relationship between distance and spot size is 10:1

04

Infrared Thermometer

Operating Thermometer

- To measure temperature, pull and hold trigger. Release the trigger to hold a temperature reading. The meter turns off when no activity is detected for ten seconds.
- Press **M** key to toggle between the MAX, MIN, AVG value.
- Press **L** key to Active the laser.
- Press **☀** key to light on or off the backlight.
- Press **°C/°F** key to switch between °C or °F.

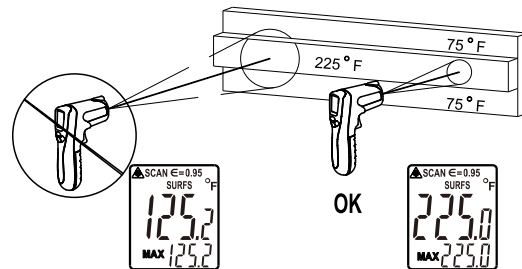


05

Infrared Thermometer

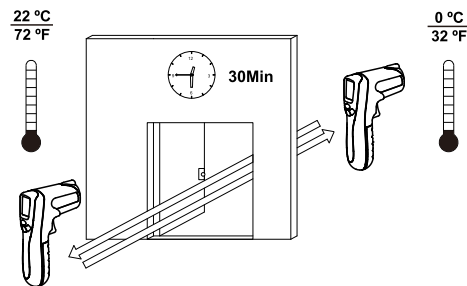
Note1

Make sure that the target is larger than the meter's visual spot size



Note2

When ambient temperature changes quickly, must wait 30 minutes to balance the temperature of the instrument before use.

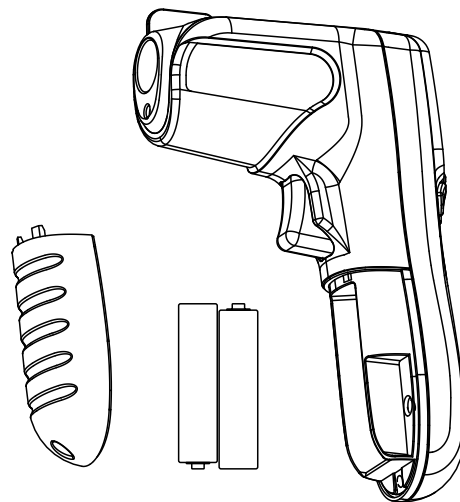


06

Infrared Thermometer

Note3

When the battery voltage is lower, the battery symbol appears, it indicates that we must change the battery.



WARNING

Do not mix old and new batteries. Do not mix alkaline, standard (carbon-zinc), or rechargeable (ni-cad, ni-mh, etc) batteries.

07

Infrared Thermometer

Specifications

Temperature range	-20°C~300°C(-4°F~572°F)		
Accuracy: Assumes ambient Operating temperature (23°C ± 2°C or 73°F±3°F)	-20°C~0°C(±3°C) -4°F~32°F(±5°F) 0°C~500°C ±(2.0%rdg+2°C) 32°F~932°F(2.0%rdg+3°F)		
Optical resolution	10:1	Spectral response	8-14 um
Repeatability	1°C	Response time	Approx.1s
Resolution	0.1°C/0.1°F	Emissivity	0.95
Ambient Operating Range	0~40°C	Relative humidity	10%~90%
CE	Conforms to: EN61326 EN61010-1 EN60825-1	Laser	<1mW 630-670nm class2
ETL Intertek	CONFORMS TO UL STD 61010-1, CERTIFIED TO CSA STD C22.2 No.61010-1	Dimensions	143×99×47mm
Power	2x1.5V AAA	Weight	Approx.160g

08

Infrared Thermometer

Warranty

This product will be free from defects in material and workmanship for eighteen months from the date of purchase. This warranty does not cover disposable batteries or damage for accident, neglect, misuse, alteration, contamination, or abnormal conditions of operation or handling.



00-05-3947