

## 14 Parameters Surface Roughness Tester SRT6600





**Functions and features:**

1. Electromechanical integration design, small volume, light weight, easy to use;
2. Using DSP chip to control and data processing, high speed, low power consumption;
3. Large range, parameters Ra, Rz, Rq, Rt, Rp, Rv, R3z, R3y, RzJIS, Rsk, Rku, Rsm, Rmr, Rx;
4. 128 x 64 OLED dot matrix display, digital / graphic display; highlight no perspective;
5. Display information rich, intuitive, can display all the parameters and spectrogram graphics;

6. Compatible with ISO, DIN, ANSI, JIS national standards;
7. Built-in lithium ion rechargeable battery and a charging control circuit, high capacity, no memory effect;
8. Residual quantity indicator icon, prompting the user to charge;
9. Display of the charging process instructions, the operator can understand the degree of charge
10. Working time more than 20 hours of continuous work
11. Large capacity data memory, can store 100 groups of original data and waveform.
12. Real-time clock settings and display, convenient data recording and storage
13. With automatic dormancy, automatic shutdown and power saving function
14. Reliable control motor to go dead circuit and software design
15. Measurement information display, menu prompt information, false information and switch machine and other tips that information;
16. Full metal shell design, sturdy, compact, portable, high reliability.
17. Can be connected to a computer and printer;

**The performance index of sensor:**

The detection principle	Current induction
Measuring range	160 $\mu\text{m}$
Tip radius	5 $\mu\text{m}$
Tip material	Diamond

Stylus force	4mN(0.4gf)
Stylus angle	90°
The guide head vertical radius	45mm

**Technical parameters:**

Item	Description
The maximum driving trip	17.5mm/0.7inch
Indicating error	Not more than $\pm 10\%$
Variation of indication	Not more than 6%
The measured profile	Roughness, waviness, the original contour
Parameter	Ra(0.005 $\mu$ m ~ 16 $\mu$ m), Rz(0.02 $\mu$ m ~ 160 $\mu$ m), Rq, Rt, Rp, Rv, R3z, R3y, RzJIS, Rsk, Rku, Rsm, Rmr, Rx.
Filter	RC,PCRC,Gauss,ISO13565
The sampling length L	0.25mm,0.8mm,2.5mm,8mm
Evaluation length L	(1-5)l
Internal storage capacity	100 groups of original data
External input / output interface	USB
Electric source	Built-in rechargeable lithium ion battery or external power adapter

Outline dimension:143 x 55 x 42mm (host).

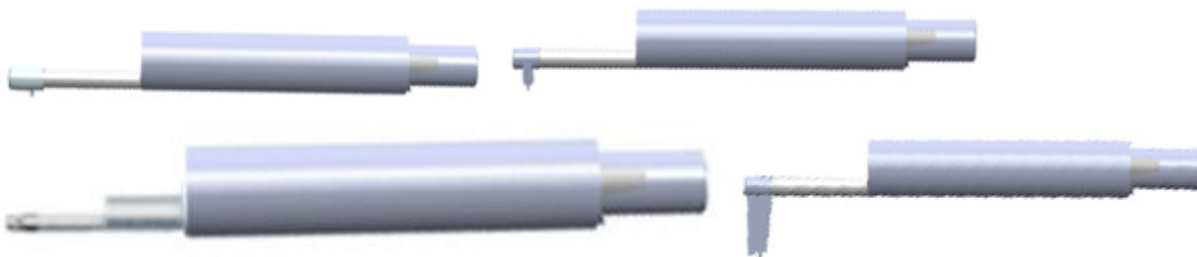
Weight: about 0.4KG (host).

**Standard delivery:**

Host	1
Standard sensor	1
Reticle temp-let	1
Template support	1
Movable support	1
Power adapter	1
USB charging cable	1
Instrument container	1
Manual, calibration certificate	1 each

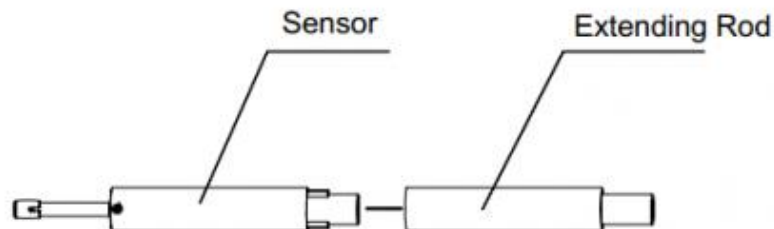
**Optional accessories:**

Sensor for curve/concave/groove surface, hole sensor, measuring platform, extension rod, calibration plate.



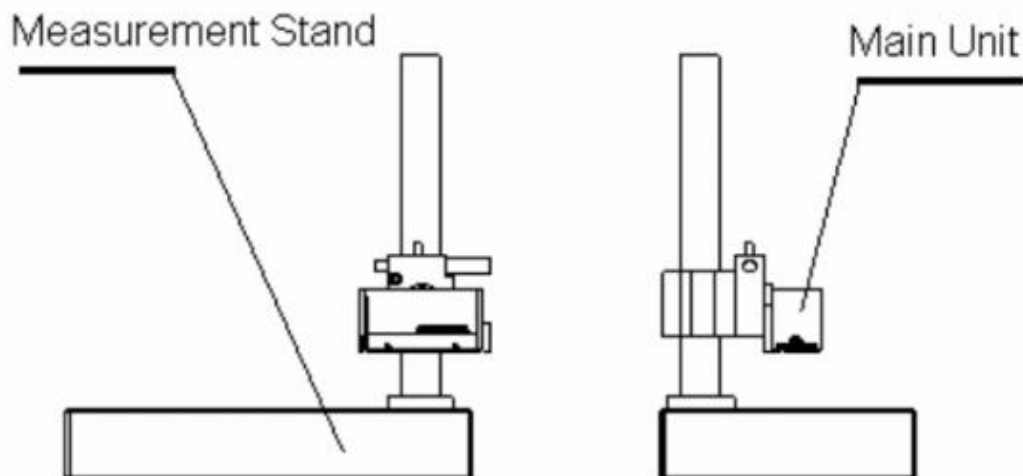
## 1.2 Extending Rod

Extending rod increases the depth for pickup to enter the part. Length of extending rod is 50mm.



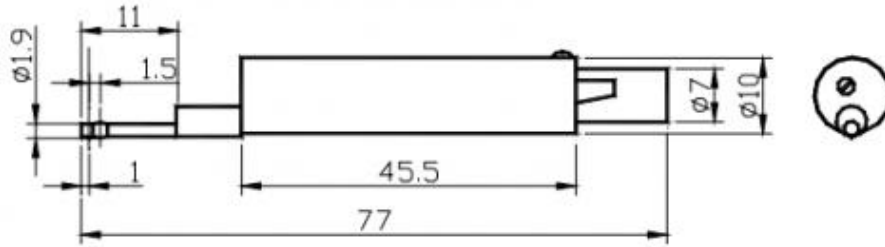
## 1.1 Measurement Stand

Measurement Stand can adjust the positions between tester and measured part conveniently with flexible and stable operation and wider application range. Roughness of complex shapes can also be measured. Measurement stand enable the adjustment of the position of stylus to be more precise and measurement to be more stable. If Ra value of measured surface is relatively low, Using measurement platform is recommended.



### 1.5 pinhole sensor

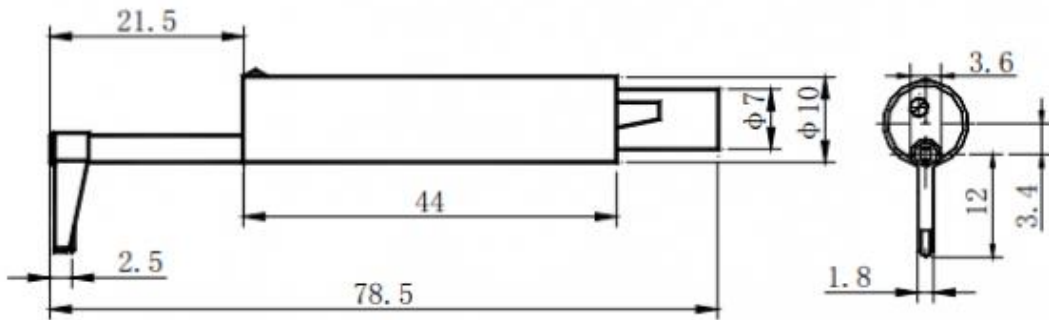
Using Pinhole pickup, the inner surfaces of holes with radius more than 2mm can be measured. Refer to the following Figure for detailed dimension.



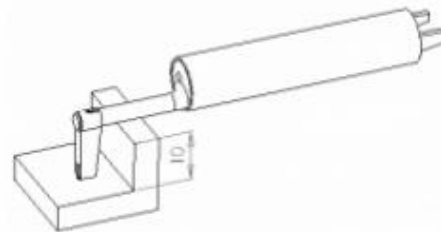
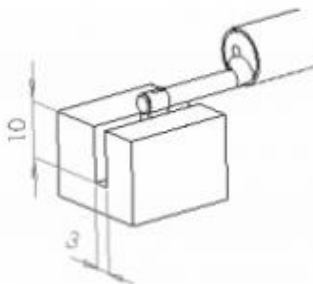
Pinhole pickup

### 1.6 Deep Groove Sensor

With deep groove sensor, it is possible to measure groove with width wider than 3mm and depth deeper than 10mm, or the surface roughness of step with height less than 10mm. Also can used to measure the planar, cylindrical used with platform. please see figure for detailed dimension.

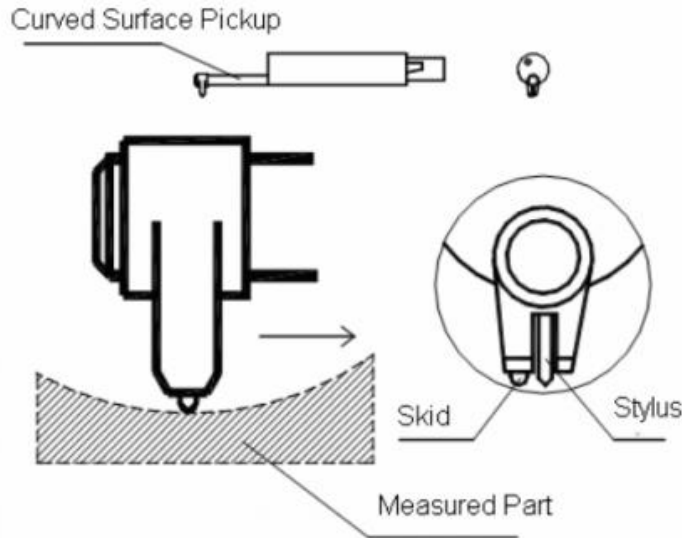


deep groove sensor



### 1.4 Curved Surface Sensor

Curved surface sensor is mainly used for measuring radius is larger than the smooth cylindrical 3mm surface roughness, for the larger radius smooth spherical surface and other surface also can obtain good approximation, the radius of curvature, the surface is smooth, the better the effect of measurement.



### 1.3 Standard Sensor

Most of the standard sensor sensor, it can measure most of the plane, inclined plane, cone surface, inner hole, groove and other surface roughness, can be hand-held measurement, in addition to the standard sensor, other special sensors are needed to measure the measuring platform.

